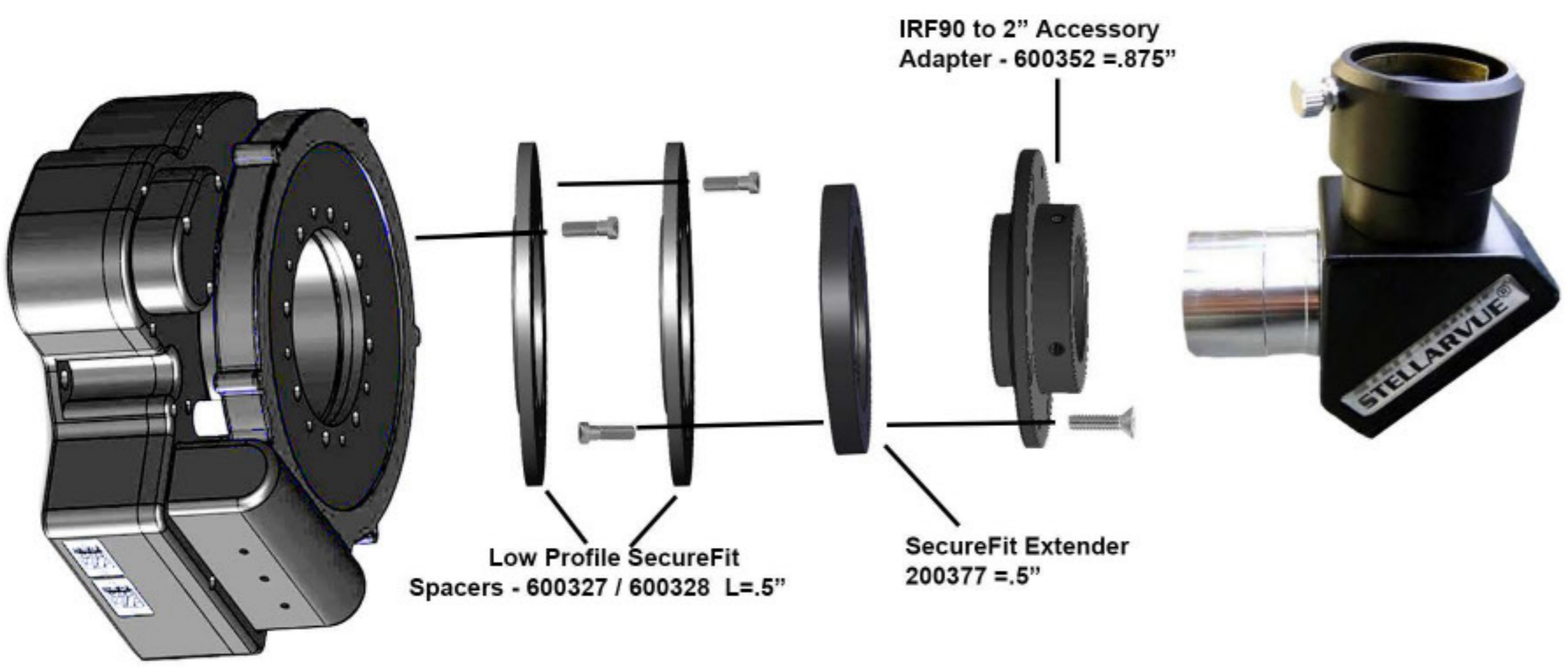
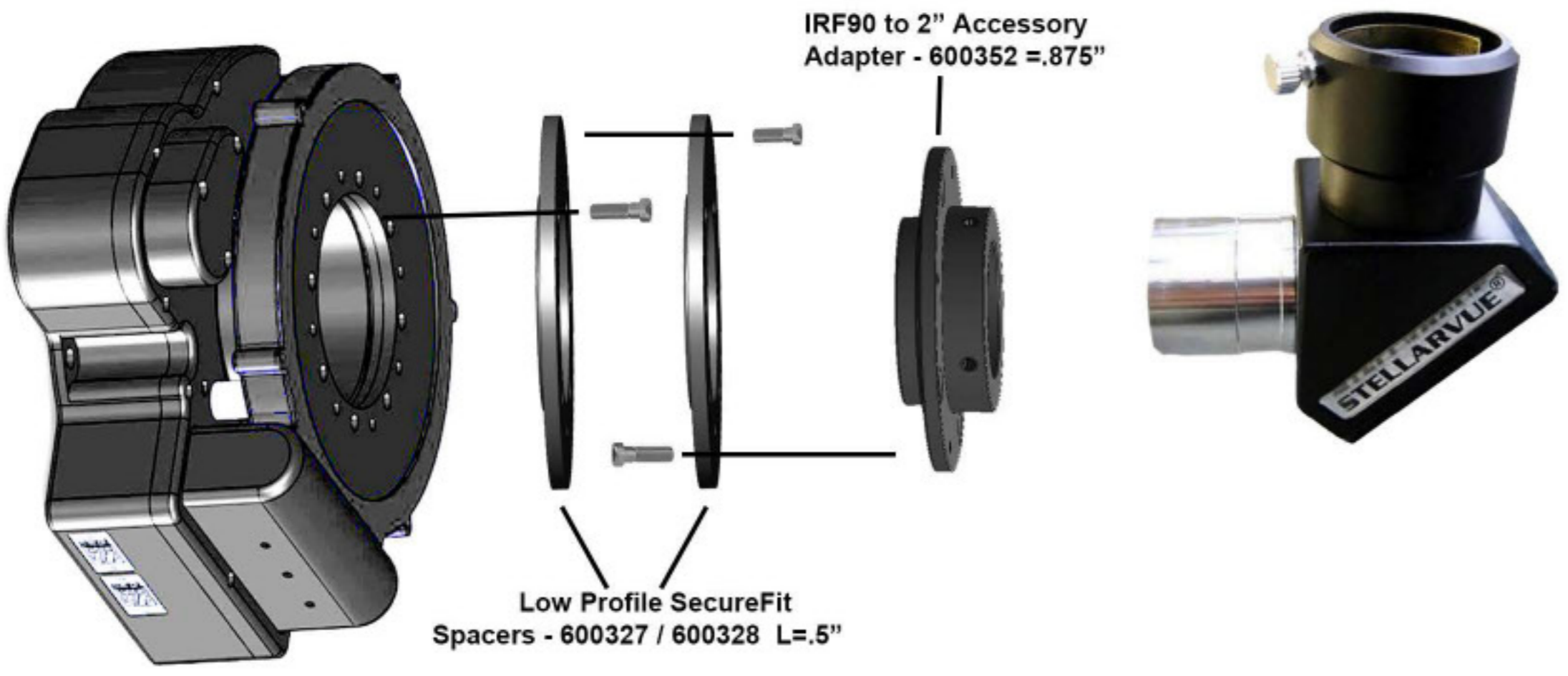


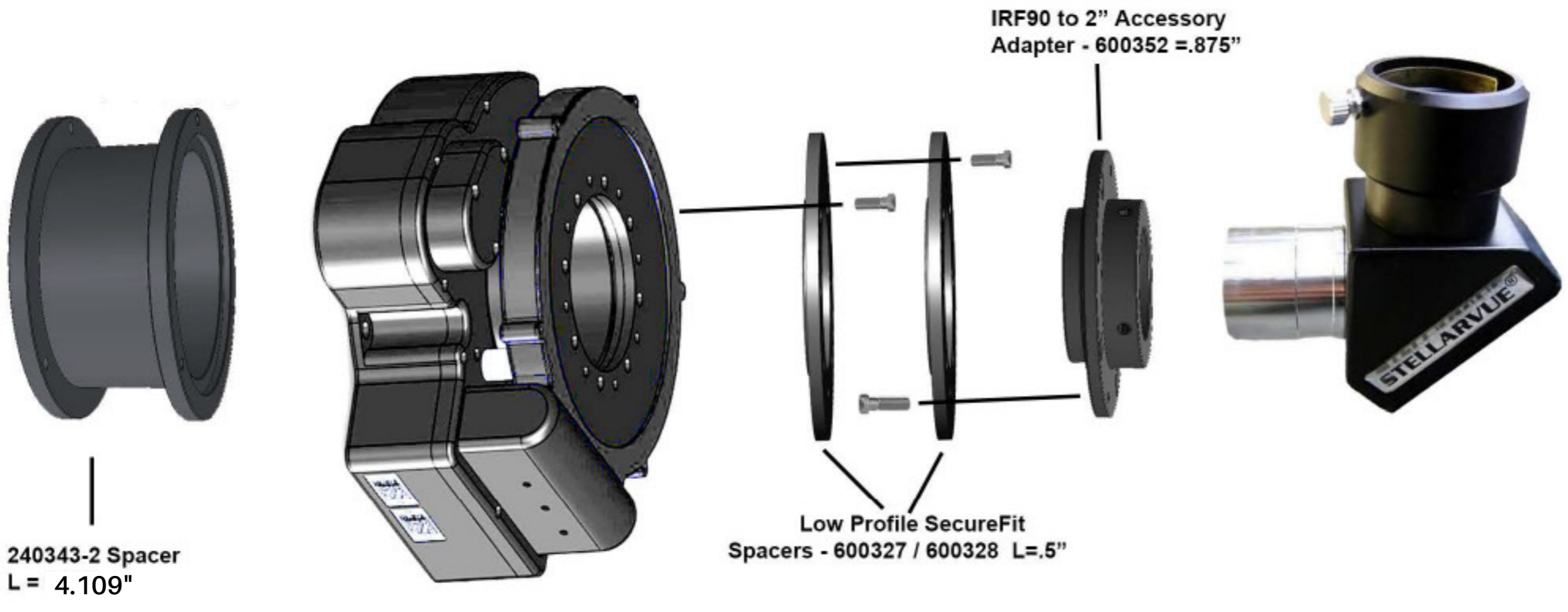
**Visual adapters for CDK14 and IRF90**



**Visual adapters for CDK17 and IRF90**



**Visual adapters for CDK24 and IRF90**



**\*\*For CDK20 the 600352 adapter will attach directly to the IRF90, however there can be clearance issues with the eyepiece making contact with the front of the IRF90. Therefore the 600352 adapter is not recommended with the CDK20.**